

INSTALLATION INSTRUCTION FOR N1942

WARNING! SHUT POWER OFF AT FUSE OR CIRCUIT BREAKER .
AVERTISSEMENT! COUPER LE COURANT AU NIVEAU DES FUSIBLES OU DU DISJONCTEUR.

READ AND SAVE THESE INSTRUCTIONS

PREPARATION

1. Shut off the power at the circuit breaker box and, if necessary, remove the old fixture, including the mounting hardware.
2. Carefully unpack your new fixture and lay out all the parts on a clear area. Take care not to lose any small parts necessary for installation.

MOUNTING THE FIXTURE (Fig.1)

3. Install crystal glass A, C and B sequentially onto fixture's body (J), and secure with screws (H) using wrench (I) (Provided). Don't over tighten.
NOTE: When installing screws (H), make sure to leave 1-2 millimeters exposed.
4. Secure mounting plate (D) to junction box (Not included) with junction box screws (E) (Size: #8-32*0.6"L), through slotted holes in mounting plate (D).

CONNECTING THE WIRES (Fig. 2)

5. Connect the electrical wires as shown in Fig. 2, making sure all wire connectors are secured. If your junction box has a ground wire (green or bare copper) connect fixture's ground wire to it. Otherwise, connect fixture's ground wire directly to mounting plate using green screw provided.
6. Tuck wire connections neatly into junction box.

COMPLETING THE INSTALLATION (Fig. 1)

7. Align back plate (F) to mounting plate (D), and secure with mounting screws (G) (Size: #8-32*0.5"L).
8. Install (2) two candelabra base bulbs up to 60 watts each or CFL or LED equivalent (not included) in accordance with the fixture specification. **(DO NOT EXCEED THE SPECIFIED WATTAGE!) (NE PAS DEPASSER LA PUISSANCE NOMINALE MAXIMALE!)**

Your installation is now complete. Return the power to the junction box and test the fixture.

Fig.1

Set#A-020-106106A

- Mounting plate
- Ground screw
- Mounting screws*2
- Junction box screws*2

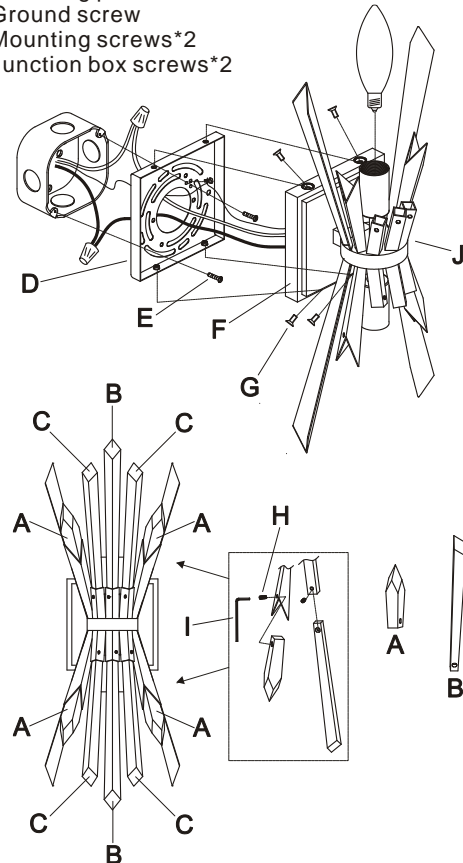


Fig.2

